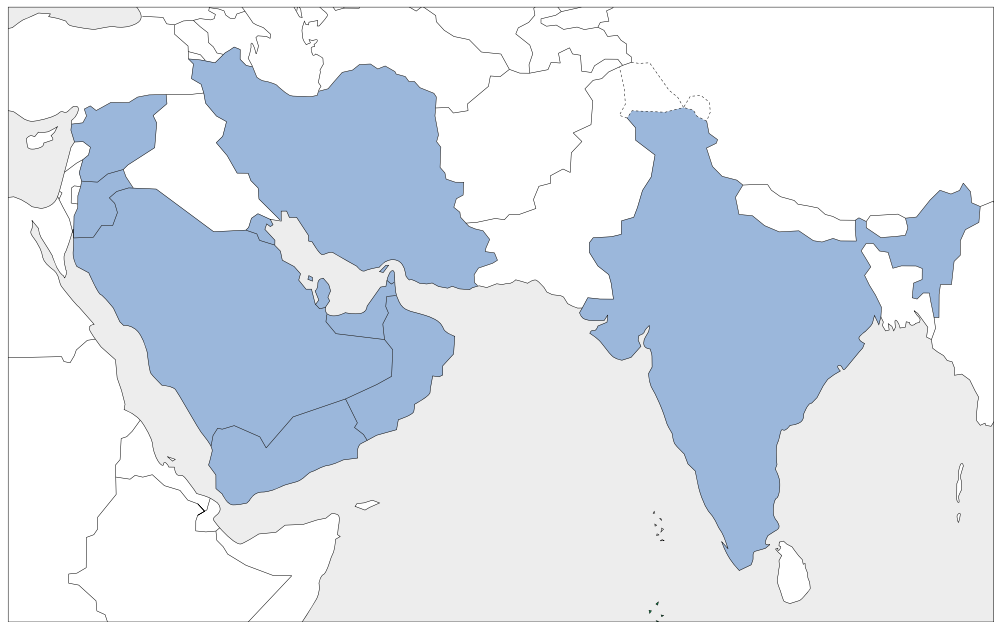


PROJECT brief



INSTALLUX



G U L F

INSTALLUX GULF

P. O. Box: 10229, Manama, Bahrain

T +973 1759 0589

F +973 1759 1589

E info@installuxgulf.com



Project Information

Al-Jahra Court Complex

| | |
|-------------------|--------------------------------------|
| Location | Al Jahra, Kuwait |
| Architect | Pan Arab Consulting Engineers (PACE) |
| Contractor | AL-Kharafi Construction Co. (KCC) |
| Fabricator | Gulf Aluminium |
| Size | |



PROJECT Details

- UNIVERS® 54
- ESPACE® 50
- COMETE® 70





Project Information

Kuwait Institute of Science & Technology

| | |
|-------------------|-------------------|
| Location | Sulaibiya, Kuwait |
| Architect | KEO |
| Contractor | Sadeem Al Kuwait |
| Fabricator | Gulf Aluminium |
| Size | |



INSTALLUX GULF
P. O. Box: 10229, Manama, Bahrain
T +973 1759 0589
F +973 1759 1589
E info@installuxgulf.com

PROJECT Details

- Total Area of 3,000 m².
- DECOFACE 54 vertical line





Project Information

Sama Mall

| | |
|-------------------|---------------------------|
| Location | Fintas, Kuwait |
| Architect | Kuwait Engineering Bureau |
| Contractor | Al Bahar contractor |
| Fabricator | Gulf Aluminium |
| Size | |

INSTALLUX



G U L F

INSTALLUX GULF

P. O. Box: 10229, Manama, Bahrain

T +973 1759 0589

F +973 1759 1589

E info@installuxgulf.com

PROJECT Details

■ CW50N





Project Information

Dialysis Center

| | |
|-------------------|-----------------------------|
| Location | Kuwait City, Kuwait |
| Architect | MIMAR |
| Contractor | Advanced Technology Company |
| Fabricator | Gulf Aluminium |
| Size | |



INSTALLUX GULF

P. O. Box: 10229, Manama, Bahrain

T +973 1759 0589

F +973 1759 1589

E info@installuxgulf.com

PROJECT Details

■ CW50N





Project Information

Central Telemetry Buildings

| | |
|-------------------|------------------------------------|
| Location | Al Ardiya, Kuwait |
| Architect | Gulf Consult |
| Contractor | Mushrif Trading & Contracting Gulf |
| Fabricator | Gulf Aluminium |
| Size | |



INSTALLUX
**INSTALLUX GULF**
P. O. Box: 10229, Manama, Bahrain
T +973 1759 0589
F +973 1759 1589
E info@installuxgulf.com

PROJECT Details

■ CW50N





Project Information

College of Basic Education Boys

| | |
|-------------------|--------------------------------|
| Location | Ardiya, Kuwait |
| Architect | Pan Arab Consulting Engineers |
| Contractor | Combined Group Contracting Co. |
| Fabricator | Kuwait Enterprises House |
| Size | 10,100 m ² |



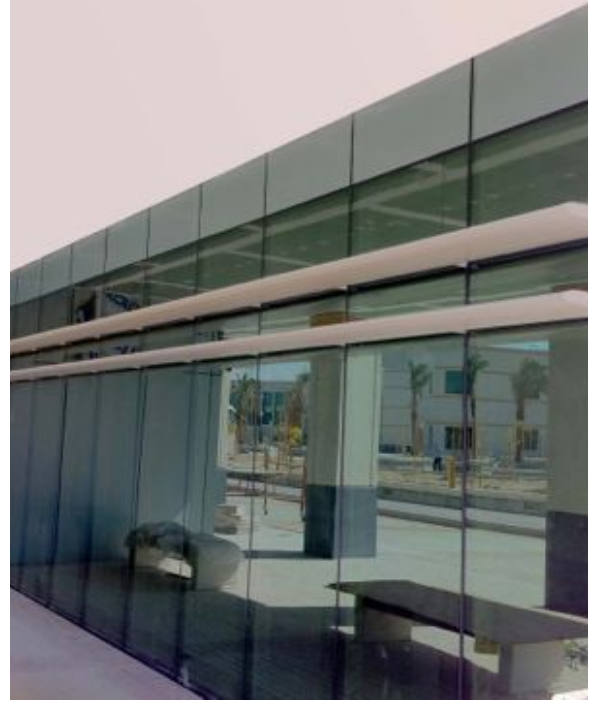
A whole campus consisting of 23 building



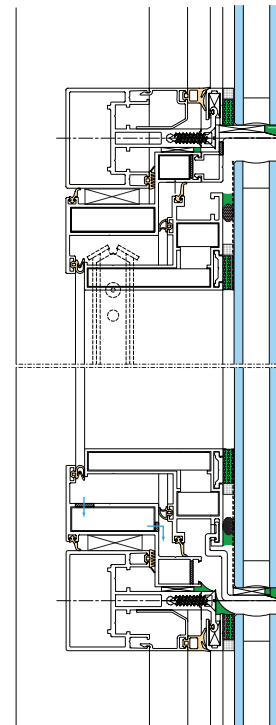
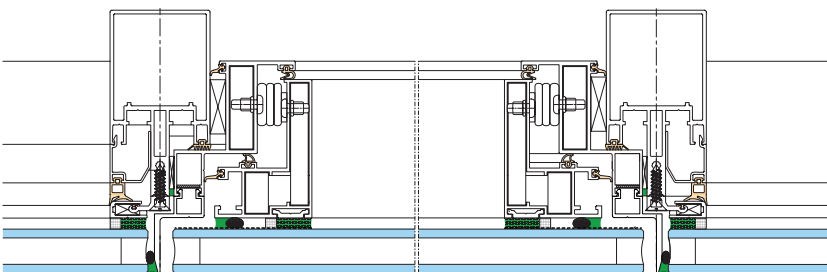
INSTALLUX GULF
P. O. Box: 10229, Manama, Bahrain
T +973 1759 0589
F +973 1759 1589
E info@installuxgulf.com

PROJECT Details

- 23 Buildings.
- Systems: COMETE® 50 TH + DECOVEC BL 54 glazing.



“Planing and logistics where very challenging to ensure project schedule”





Project Information

Al Manar Residential Complex

| | |
|-------------------|-----------------------|
| Location | Water Front, Kuwait |
| Architect | K. E. O. |
| Contractor | Burhan |
| Fabricator | Kuwaiti Ahli Aluminum |
| Size | |



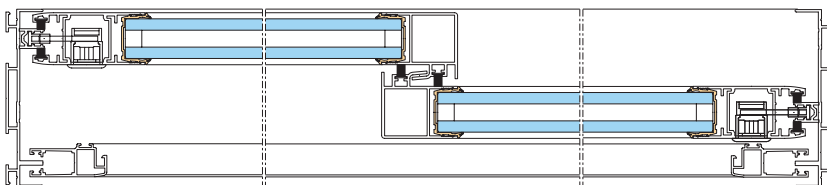
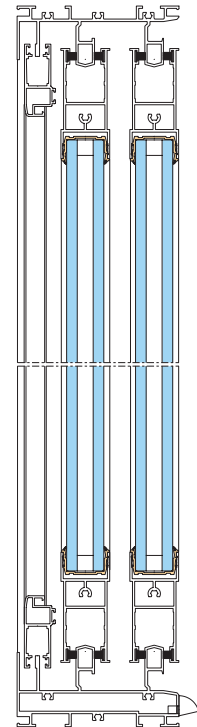
INSTALLUX GULF
 P. O. Box: 10229, Manama, Bahrain
 T +973 1759 0589
 F +973 1759 1589
 E info@installuxgulf.com

PROJECT Details

- 18 storey building.
- Curtain Wall, DECOFACE 54 conventional.
- Casement Windows, ESPACE® 50.
- Heavy Duty Doors, COMETE® 50.
- Sliding Windows & Doors, GALAXIE® 26, sliding doors height were up to 2.500m and glazing High.



2-leaf sliding doors with 26 mm DGG. KED wanted top sound insulation + performance GALAXIE® 26 with gas-kets inside of weather pile.





Project Information

Kempinski Residences & Villas

| | |
|-------------------|--|
| Location | Dubai, United Arab Emirates |
| Architect | M/s. WS Atkins & Partners Overseas |
| Contractor | AL Habtoor Engineering Contracting Co. |
| Fabricator | Solico Aluminum, Dubai |
| Size | 100,000 m ² |



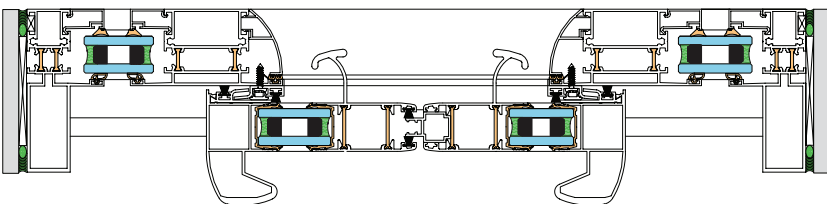
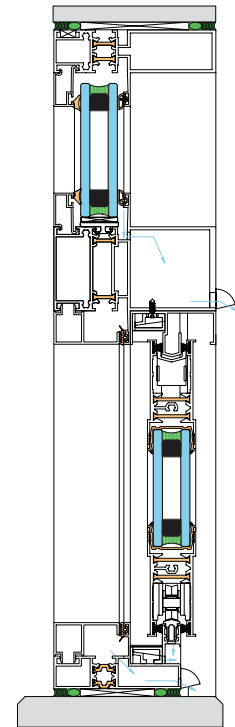
“Integration of fixed windows in sliding frame all in thermal break”

PROJECT Details

- Total Area of 100,000 m².
- Sliding Windows, GALAXIE® 26TH.
- Casement Windows, ESPACE® 50TH.
- Heavy Duty Doors, COMETE® 50TH Fast Fitting.



Durability and performance for an open sea side location





Project Information

Emaar - The Greens

| | |
|-------------------|---|
| Location | Dubai, United Arab Emirates |
| Architect | Al-Hashimi Architects |
| Contractor | UNEC, ECC, Obaid Allah Contracting |
| Fabricator | Alumco, Hamarain & Partners Union Industries, Dubai, UAE |
| Size | +82,000 m ² |

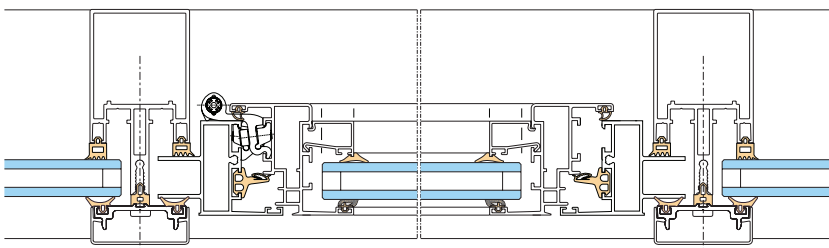
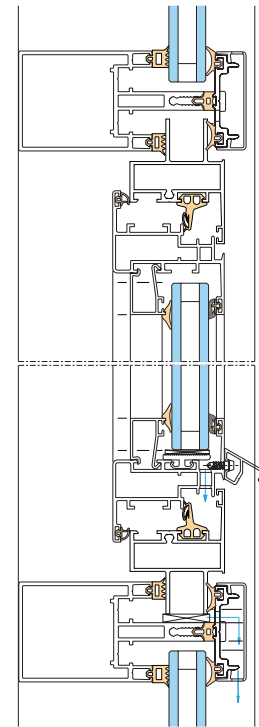


“Started with 14 buildings and finished with a total of 41 buildings”

PROJECT Details

- 41 Buildings.
- Total Area over 82,000 m²
- Curtain Wall, DECOFACE 54 conventional systems.
- Casement Windows, ESPACE® 50.
- Sliding Windows, GALAXIE® 26.

First phase of the project was for 14 buildings and finally once the project was completed it has reached to 41 buildings. The project presented many challenges on the logistics side of having to deal with specific deliveries and working with 3 aluminium subcontractors and 5 main contractors. Specially modified profiles had to be developed for this project.





Project Information

Residence at Burj Dubai

| | |
|-------------------|-------------------------------------|
| Location | Dubai, United Arab Emirates |
| Architect | Woodsbagot |
| Contractor | Nasa Multiplex |
| Fabricator | Alumco, Dubai, United Arab Emirates |
| Size | +49,000 m ² |



“First 5 towers to come up in the prestigious Burj Dubai Development”

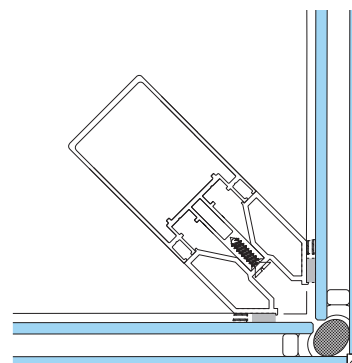
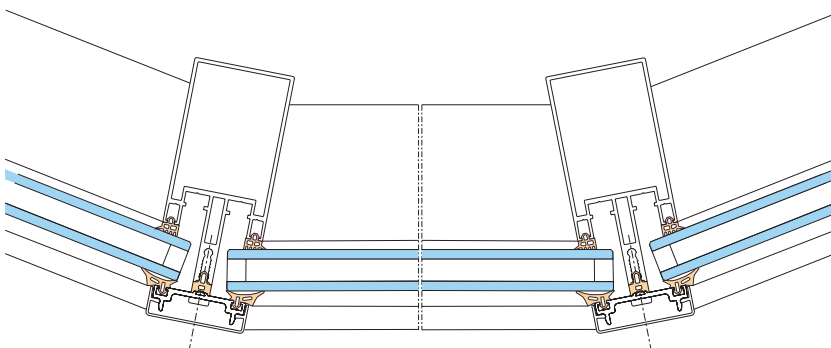
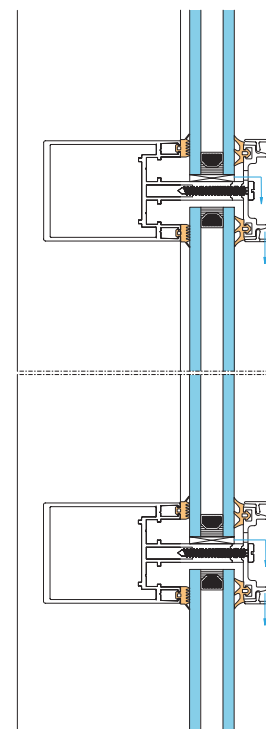
PROJECT Details

- 7 Buildings.
- Total Area over 49,000 m²
- Curtain Wall, DECOFACE 54 conventional systems.
- Casement Windows, ESPACE® 50.
- Sliding Windows, GALAXIE® 26.
- Heavy Duty Doors, COMETE® 50

A special test had to be preformed for this project in line with ASTM and AAMA standards. After passing the test a destruction test was preformed to test the limits of the curtain wall unit, and it achieved a sustained wind and water pressure up to 5,600 Pascals. Project presented many challenges, with tight delivery schedule, and new specially developed profiles.



“Tallest towers to date done by Installux of 41 storey”





Project Information

Beverly Hills

| | |
|-------------------|-----------------------|
| Location | Doha, Qatar |
| Architect | GHD |
| Contractor | Al-Jaber Contracting |
| Fabricator | Alu Nasa |
| Size | 37,000 m ² |



INSTALLUX



G U L F

INSTALLUX GULF

P. O. Box: 10229, Manama, Bahrain

T +973 1759 0589

F +973 1759 1589

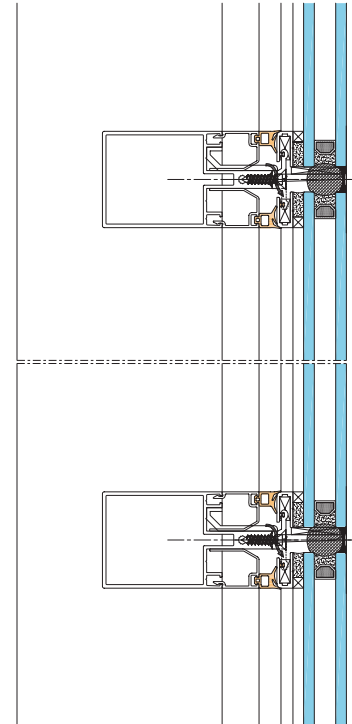
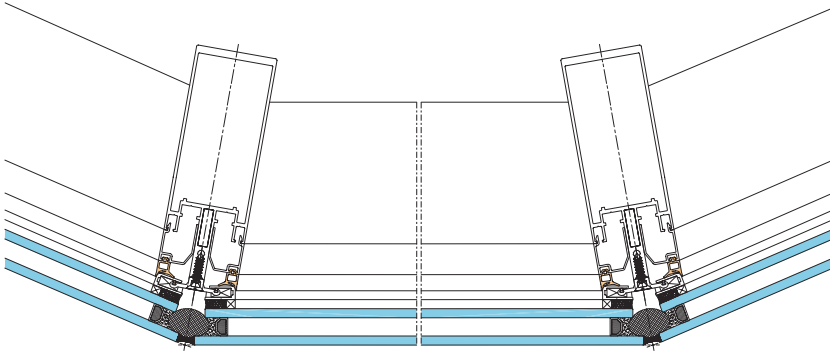
E info@installuxgulf.com

PROJECT Details

- Total Area of 37,000 m².
- 29 storey.
- Curtain Wall, DECOVEC BL 54, 4 sided structural glazing curtain wall.
- Heavy Duty Doors, COMETE® 50.



“Largest 4-side structural glazing tower done using newly developed CW with toggle mechanism fixing”





Project Information

Dubai Police Headquarters

| | |
|-------------------|-------------------------------------|
| Location | Dubai, United Arab Emirates |
| Architect | Arenco |
| Contractor | Al Shafar Contracting |
| Fabricator | Alumco, Dubai, United Arab Emirates |
| Size | 22,500 m ² |

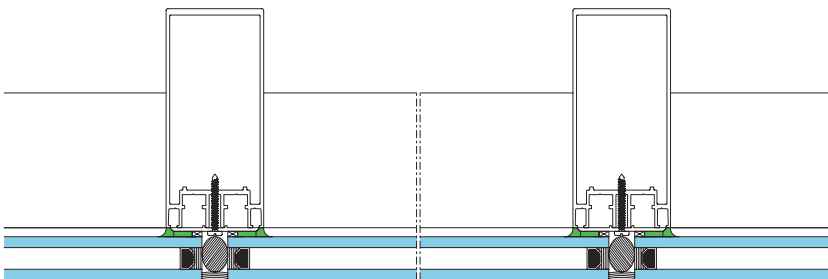
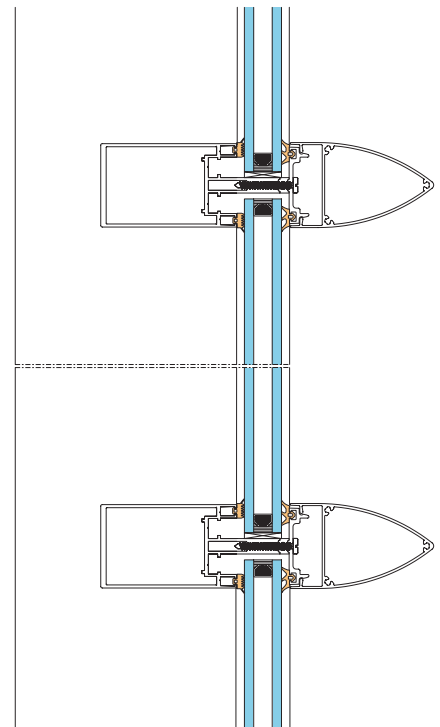


“First large use of new 4-sided structural glazing mechanically fixed curtain wall”

PROJECT Details

- Total Area over 22,500 m²
- Curtain Wall, DECOFACE 54, 2-sided Structural Glazing systems.
- Curtain Wall, DECOVEC 54 BL, 4- sided Structural Glazing systems.
- Heavy Duty Doors, COMETE® 50
- 200mm, and 150 mm Bull nose sun shades

This project saw the first use of the new development DECOVEC 54 BL 4 sided structural glazing curtain wall. The project has a combination of 2 and 4 sided structural glazing curtain walls.





Project Information

Al-Murooj Complex

| | |
|-------------------|-------------------------------------|
| Location | Dubai, United Arab Emirates |
| Architect | Artec-Architectural & Engineering |
| Contractor | Al Ahmadiyah Contracting & Trading |
| Fabricator | Alumco, Dubai, United Arab Emirates |
| Size | 20,000 m ² |



“Development consist of 9 buildings”

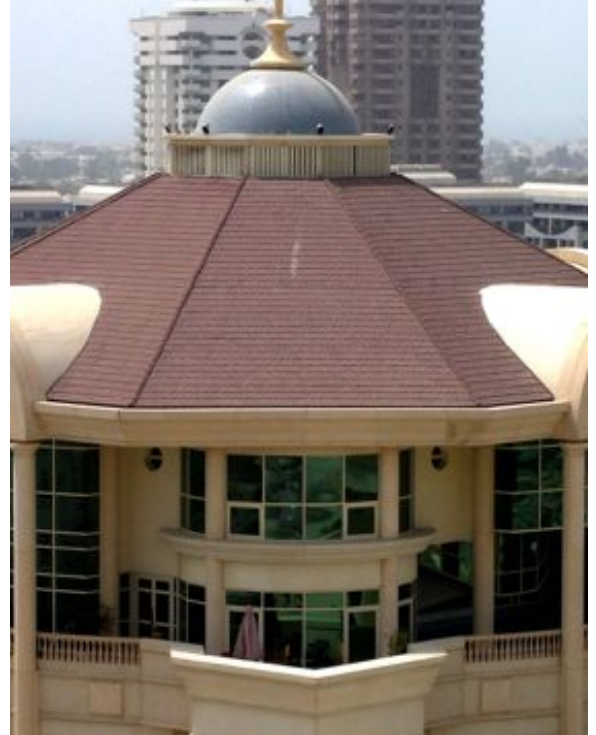


INSTALLUX GULF
P. O. Box: 10229, Manama, Bahrain
T +973 1759 0589
F +973 1759 1589
E info@installuxgulf.com

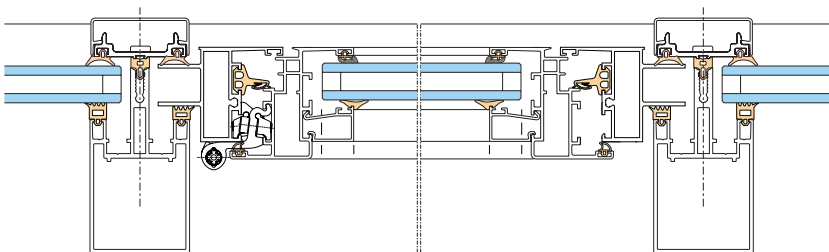
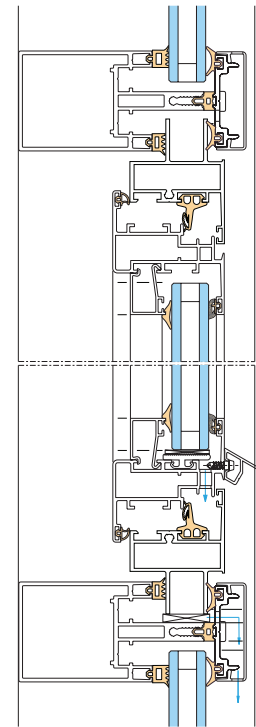
PROJECT Details

- 9 Buildings.
- Total Area over 20,000 m²
- Curtain Wall, DECOFACE 54 conventional systems.
- Casement Windows, ESPACE® 50.
- Sliding Windows, GALAXIE® 26.
- Heavy Duty Doors, COMETE® 50

This project was secured as a result of the success of Emaar The Greens project and INSTALLUX product quality. Originally Contractor wanted to split the project due to the tight delivery schedule, but in the end the aluminium works were ahead of civil.



“Tight delivery and project schedule”





INSTALLUX



G U L F

INSTALLUX GULF (W.L.L.)

P. O. Box: 10229
Manama, Kingdom of Bahrain

T +973 1759 0589

F +973 1759 1589

www.installuxgulf.com

**THINK ALUMINUM
THINK INSTALLUX**

